



**SIMULATION OPTIMIZATION SYSTEMS**  
Research Laboratory

**SIGNAL INTEGRITY OPTIMIZATION OF  
HIGH-SPEED VLSI PACKAGES  
AND INTERCONNECTS**

Q.J. Zhang, F. Wang, M.S. Nakhla,  
J.W. Bandler and R.M. Biernacki

SOS-98-6-R

April 1998

1941  
1942  
1943  
1944  
1945  
1946  
1947  
1948  
1949  
1950  
1951  
1952  
1953  
1954  
1955  
1956  
1957  
1958  
1959  
1960  
1961  
1962  
1963  
1964  
1965  
1966  
1967  
1968  
1969  
1970  
1971  
1972  
1973  
1974  
1975  
1976  
1977  
1978  
1979  
1980  
1981  
1982  
1983  
1984  
1985  
1986  
1987  
1988  
1989  
1990  
1991  
1992  
1993  
1994  
1995  
1996  
1997  
1998  
1999  
2000  
2001  
2002  
2003  
2004  
2005  
2006  
2007  
2008  
2009  
2010  
2011  
2012  
2013  
2014  
2015  
2016  
2017  
2018  
2019  
2020  
2021  
2022  
2023  
2024  
2025

**SIGNAL INTEGRITY OPTIMIZATION OF  
HIGH-SPEED VLSI PACKAGES  
AND INTERCONNECTS**

Q.J. Zhang, F. Wang, M.S. Nakhla,  
J.W. Bandler and R.M Biernacki

SOS-98-6-R

April 1998

© Q.J. Zhang, F. Wang, M.S. Nakhla, J.W. Bandler and R.M Biernacki 1998

No part of this document may be copied, translated, transcribed or entered in any form into any machine without written permission. Address enquiries in this regard to Dr. J.W. Bandler. Excerpts may be quoted for scholarly purposes with full acknowledgement of source. This document may not be lent or circulated without this title page and its original cover.



## Signal Integrity Optimization of High-Speed VLSI Packages and Interconnects

Q.J. Zhang, F. Wang, M.S. Nakhla, J.W. Bandler<sup>+</sup>, and R.M. Biernacki<sup>+</sup>

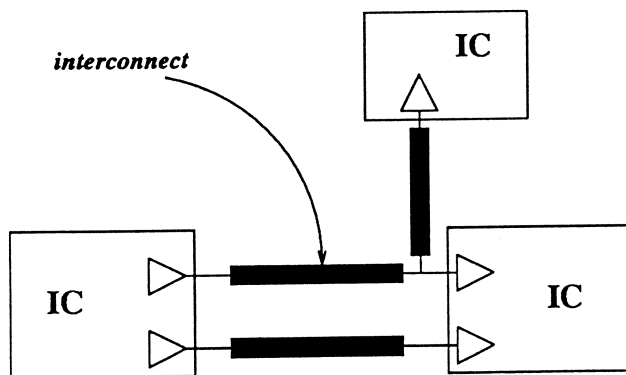
Department of Electronics, Carleton University, Ottawa, Canada

<sup>+</sup>Department of Electrical and Computer Engineering, McMaster University, Hamilton, Canada**Abstract**

Signal integrity of high-speed VLSI packages and interconnects is becoming one of the critical issues in an overall system design as the operating frequency in electronic systems such as computers and digital communication systems is going higher and higher. In recent years, research into the VLSI package and interconnect optimization problems has been very active, and several important progresses have been made. This paper presents the review of recent development in signal integrity oriented optimization of VLSI packages and interconnects. Advanced optimization techniques are also presented with emphasis on large scale optimization and space mapping, a new concept linking engineering models of different types and levels of complexity.

**Introduction**

As the operating frequency in electronic systems such as computers and digital communication systems becomes higher and higher, VLSI interconnects (Figure 1) are



**Figure 1. VLSI interconnect network with driver and receiver terminations.**

becoming more and more critical in an overall system design. The overall system performance could be affected by improperly designed interconnects because of signal integrity degradations such as signal delay, crosstalk and ground noise.

Practical circuit boards usually have a large number of interconnects and various design criteria. At the same time, there is an increasing need that the signal integrity criteria be directly used in interconnect design optimization [1][2][3][4]. An overall optimization of various signal performances can become very complicated in this case. The problem is often large scale optimization by nature [5], and can involve highly repetitive simulation of distributed transmission line models or even EM models [6]. Straight use of conventional circuit optimization approaches will not always be suitable. The hierarchical nature of signal integrity at chip, multichip module (MCM), printed circuit board (PCB) levels also poses challenges [6]. In addition, electrical design is now more and more constrained by other design factors such as thermal [7] and Electromagnetic (EM) effects [8], both of which are becoming important considerations in an overall design.

In recent years, research into the high-speed VLSI package and interconnect optimization problems has been very active, and several important progresses have been made. This paper summarizes the current status of the subject area.

**Objectives of Signal Integrity Oriented Optimization**

A direct signal integrity oriented optimization can be performed in the time-domain [1] with error functions based on the performances of transient responses such as delay, rise/fall times, crosstalk and reflection, such as those listed in Table I. Another type of important design objective in the time-domain is skew reduction [4][5], which is to minimize the difference of the delay at several signal paths. Alternatively, the optimization can also be performed indirectly in the frequency domain. Different objectives have been used. Group delay contains information of signal propagation delay. By reducing group delay and spectrum of crosstalks, and improving the flatness of group delay and gain slope responses, the transient signal delay, crosstalk and signal distortions are indirectly optimized [2]. Elmore delay, which is equivalent to 1<sup>st</sup> order moment of the delay function, has been used as an approximate measure for delay reduction at chip level using lumped interconnect model [9]. In general cases, higher order moments can be used [10]. Moments up to 3<sup>rd</sup> order have been used to characterize the signal behaviour of distributed transmission lines [10] such that optimization in the frequency domain can be formulated without time domain simulations. In an overall design task, the frequency-domain approach can be used in the initial design stage to achieve a near-optimal design. The time-domain approach can be used in the final design stage for verification and fine tuning.

Performance	Error Functions
propagation delay	$w_d(v_j(\Phi, \tau_j) - v_T)$ $-w_d(v_j(\Phi, \tau_j) - v_T)$ for $j \in J_1$
rise time	$w_f(v_j(\Phi, \tau_j - \alpha t_r) - v_{T,low})$ $-w_f(v_j(\Phi, \tau_j + \beta t_r) - v_{T,high})$ for $j \in J_1$ where $\alpha$ and $\beta$ are positive and $\alpha + \beta = 1$
fall time	$w_f(v_j(\Phi, \tau_j + T + \lambda t_f) - v_{T,low})$ $-w_f(v_j(\Phi, \tau_j + T - \mu t_f) - v_{T,high})$ for $j \in J_1$ where $\lambda$ and $\mu$ are positive and $\lambda + \mu = 1$
crosstalk	$w_c(t)(v_j(\Phi, t_i) - S_{cj}(t_i))$ $-w_c(t)(v_j(\Phi, t_i) + S_{cj}(t_i))$ for $j \in J_2$ and $0 < t_i < \infty$
reflections	$w_r(t)(v_j(\Phi, t_i) - S_{rj}(t_i))$ $-w_r(t)(v_j(\Phi, t_i) + S_{rj}(t_i))$ for $j \in J_1$ and $T + \tau_j + \delta < t_i < \infty$

where  $\tau_j, S_{cj}$  and  $S_{rj}$  are upper specifications for delay, crosstalk and reflection at node  $j$ , respectively;  $t_r$  and  $t_f$  are required rise/fall times, respectively;  $V_T, V_{T,low}$  and  $V_{T,high}$  are threshold voltages for measuring delay and rise/fall times.

**Table I. Error functions for time-domain signal integrity optimization.**

### Advanced Optimization Techniques

An approach to speed up simulation for use in either frequency- or time-domain based interconnect optimization is to exploit parallel computation [11]. The frequency-domain case has an inherent parallel feature because the circuit response at one frequency point is independent of those at other frequency points. Parallel computation in the time-domain optimization is not applicable for conventional simulation techniques. In [11], a specific simulation technique based on numerical inversion of Laplace transform (NILT), is used to simulate signal waveforms with parallel simulation. A multilevel approach taking advantage of network topological decomposition as well as optimization decomposition is another development [5]. The overall optimization is reformulated to yield a set of independent suboptimization problems that are solved by parallel processing. The suboptimizations are coordinated by a model coordinating scheme. This formulation fits well with a VLSI system in which the PCB interconnect circuitry is optimized by the high-level optimization and several MCM's are optimized at the low level.

An important recent development is neural network technology applied to interconnect optimization [12]. Neural network models can be used at different levels of the interconnect problem inside the optimization cycle, i.e., Physical/EM level or circuit level. The model is trained off-line from sample data and used during optimization for fast evaluation of signal integrity with its generalization property, i.e., predicting the outputs upon the given input information that may not have been seen during training.

Another totally new concept in engineering optimization is Space Mapping (SM) [13]-[21], linking engineering models of different types and levels of complexity, including empirical, EM-based, analytical, numerical, physics based, and even direct laboratory measurements, which represent the same physical design. With today's signal integrity requirements, interconnects are more modeled with EM effects [17]. The application of space mapping with signal integrity design of VLSI packages and interconnects has significant effect in speeding up the optimization process.

A key step in SM is to determine pairs of corresponding EM and empirical models through parameter extraction. In its basic form, the SM optimization technique [13][14] exploits a mathematical link between input parameters of two simulators (models). One is considered very accurate but computationally very intensive, the other one is fast but less accurate. The goal is to direct the bulk of CPU-intensive optimization to the fast model in the optimization system (OS) parameter space  $X_{OS}$ . This model is referred to as the OS simulator. EM simulations serve as the accurate model and the EM simulator input parameter space is denoted by  $X_{EM}$ . As a first step in SM optimization we carry out conventional design optimization entirely in the  $X_{OS}$  space. The resulting solution is denoted by  $x^*_{OS}$ . Then we create and iteratively refine a mapping

$$x_{OS} = P(x_{EM}) \quad (1)$$

from  $X_{EM}$  to  $X_{OS}$  in order to align the two models. In [13] the mapping was assumed to be expressed as a linear combination of some predefined and fixed fundamental functions. In the current implementation of SM [14][19],  $P$  is also assumed invertible. Once the mapping is established the inverse mapping  $P^{-1}$  is used to find the EM solution as the image of the optimal OS solution  $x^*_{OS}$ , namely,

$$x^*_{EM} = P^{-1}(x^*_{OS}) \quad (2)$$

In other words, we map the optimal OS model parameters back into the EM parameters.  $P$  is established through an iterative process to satisfy the constraint that

$$f_{OS}(x^i_{OS}) \approx f_{EM}(x^i_{EM}), \quad \text{for all points } i \quad (3)$$

where  $f_{OS}$  and  $f_{EM}$  are the circuit responses simulated by the OS and EM simulators, respectively.



In addition to interconnects, pin assignment optimization at IC packages and connectors have been addressed recently as part of an overall signal integrity task [22]. For connectors the pin assignment problem is two-dimensional (Figure 2),

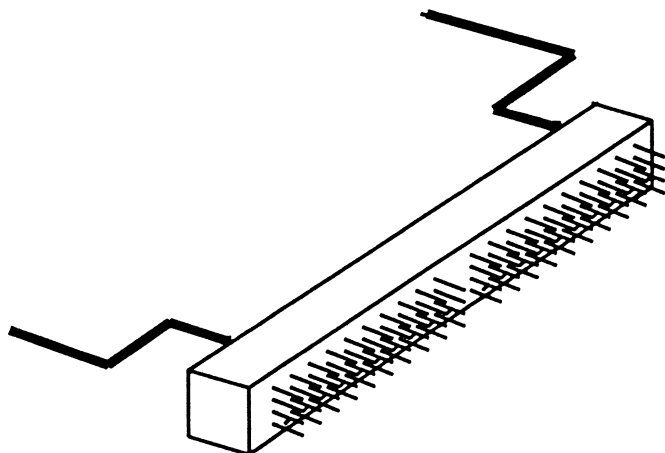


Figure 2. A connector example for 2-dimensional pin-assignment optimization.

and mutual couplings in both dimensions need to be treated. Global optimization techniques including Simulated Annealing and genetic algorithms were used to find optimal pin assignment to minimize crosstalk and ground noise.

With the industrial drive for reduced time to market of new products, the ability of computer-aided design tools to capture various factors during the design stage becomes very important. There has been a significant increase in the complexity of designs, leading to tighter design margins and specifications. Thermal management and signal integrity are the two prominent issues of concern in the design of high-speed systems. One example is multidisciplinary optimization [7] taking into account, e.g., thermal and electrical factors. Let  $\Phi$  represent the optimization variables. Let  $e = \{e_1, e_2, \dots, e_m\}$  be a vector containing all the electrical domain error functions as defined in Table I. Let  $h = \{h_1, h_2, \dots, h_n\}$  be a vector containing all the thermal domain error functions representing the weighted difference between computed and specified temperature at various locations of a circuit board. An objective function  $U(\Phi)$  for a generalized two-level  $l_p$  and  $l_q$  formulation can be defined as

$$U(\Phi) = w_1 [e_1^p + e_2^p + \dots + e_m^p]^{q/p} + w_2 [h_1^p + h_2^p + \dots + h_n^p]^{q/p} \quad (4)$$

where  $w_1$  and  $w_2$  are positive weighting factors of the thermal and electrical cost. The optimization is then to find  $\Phi$  to

$$\min U(\Phi) \quad (5)$$

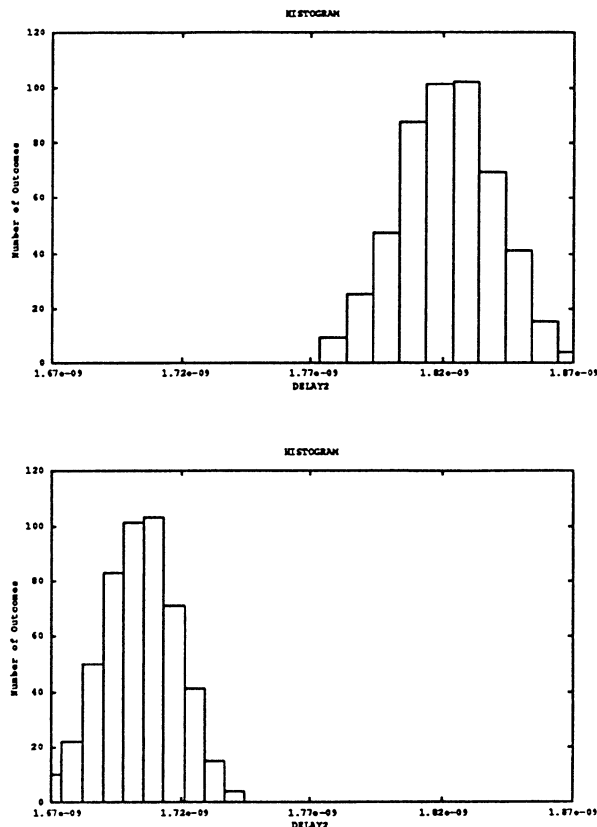


Figure 3. Example of statistical optimization showing histogram of signal delay of an interconnect network before (top figure) and after (bottom figure) yield optimization.

In manufacturability-driven design, it is necessary to consider tolerances in VLSI interconnects and material properties which lead to variations in critical interconnect performances, which in turn can result in reduced production yield. Statistical design [23] techniques address this challenge. Figure 3 is an example of statistical optimization of an interconnect network where the histogram of the delay from an interconnect network are displayed before and after yield optimization. After optimization, the distribution of the delay moved towards the left, leading to generally less delay in the example network.

## Conclusions

A review of signal integrity optimization of high-speed VLSI packages and interconnects has been presented. Because of the continuous increase in operating frequency, there is a strong trend in the industry to use signal integrity as one of the fundamental criteria in early design, physical design and postdesign verification. More complete signal integrity design optimization will be a direction of future endeavors.

## References

1. Zhang, Q.J., Lum, S., and Nakhla, M.S., "Minimization of delay and crosstalk in high-speed VLSI interconnects," *IEEE Trans. Microwave Theory Tech.*, Vol. 40, pp. 1555-1563, 1992.
2. Liu, R., Zhang, Q.J., and Nakhla, M.S., "A frequency-domain approach to performance optimization of high-speed VLSI interconnects," *IEEE Trans. Microwave Theory Tech.*, Vol. 40, pp. 2403-2411, 1992.
3. Rahal-Arabi, T., and Suarez-Gartner, R., "A frequency-domain technique for the optimization of the electrical performance of high-speed multiconductor transmission line networks in VLSI regimes," *IEEE Trans. Circuits Syst.*, Vol. 40, pp. 262-269, 1993.
4. Pullela, S., Menezes, N., and Pillage, L., "Skew and delay optimization for reliable buffered clock trees," *Proc. Int. Conf. Computer-Aided Design*, Santa Clara, CA, Nov. 1993, pp. 556-562.
5. Wei, Y., Zhang, Q.J., and Nakhla, M.S., "Multilevel optimization of high-speed VLSI interconnect networks by decomposition," *IEEE Trans. Microwave Theory Tech.*, Vol. 42, pp. 1638-1650, 1994.
6. Nakhla, M.S., and Zhang, Q.J., Editors, Modeling and Simulation of High-Speed VLSI Interconnects, Kluwer (Boston, 1994).
7. Mihan, K., Stacey, B., Nakhla, M.S., and Zhang Q.J., "Concurrent thermal and electrical optimization of high-speed packages and systems," *INTERpack: ASME International Intersociety Electronic Packaging Conf.*, Lahaina, Hawaii, March. 1995, pp. 221-227.
8. Achar, R., Nakhla, M.S., and Zhang, Q.J., "Addressing high-frequency effects in VLSI interconnects with full-wave model and CFH," *Proc. European Microwave Conf.*, Bologna, Italy, Sept. 1995, pp. 820-823.
9. Lillis, J., Cheng, C., and Lin, T., "Optimal wire sizing and buffer insertion for low power and a generalized delay model," *Proc Int. Conf. on Computer-Aided Design*, San Jose, CA, Nov. 1995, pp. 2D.2.
10. Gupta, R., and Pileggi, L., "Constrained multivariable optimization of transmission lines with general topologies," *Proc Int. Conf. on Computer-Aided Design*, San Jose, CA, Nov. 1995, pp. 2D.1.
11. Griffith, R., Chiprout, E., Zhang, Q.J., and Nakhla, M.S., "A CAD framework for simulation and optimization of high-speed VLSI interconnects," *IEEE Trans. Circuits Syst. I*, Vol. 39, pp. 893-906, 1992.
12. Zaabab, A., Zhang, Q.J., and Nakhla, M.S., "Neural network modeling approach to circuit optimization and statistical design," *IEEE Trans. Microwave Theory Tech.*, Vol. 43, pp. 1349-1358, 1995.
13. Bandler, J.W., Biernacki, R.M., Chen, S.H., Grobelny, P.A., and Hemmers, R.H., "Space Mapping Technique for electromagnetic optimization," *IEEE Trans. Microwave Theory Tech.*, Vol. 42, pp. 2536-2544, 1994.
14. Bandler, J.W., Biernacki, R.M., Chen, S.H., Hemmers, R.H., and Madsen, K., "Electromagnetic optimization exploiting aggressive space mapping," *IEEE Trans. Microwave Theory Tech.*, Vol. 43, pp. 2874-2882, 1994.
15. Bandler, J.W., Biernacki, R.M., Chen, S.H., Getsinger, W.J., Grobelny, P.A., Moskowitz, C., and Talisa, S.H., "Electromagnetic design of high-temperature superconducting microwave filters," *Int. J. Microwave and Millimeter Wave CAE*, Vol. 5, pp. 331-343, 1995.
16. Bandler, J.W., Biernacki, R.M., Chen, S.H., and W.J., Grobelny, "Optimization technology for nonlinear microwave circuits integrating electromagnetic simulations," *Int. J. Microwave and Millimeter Wave CAE*, Vol. 7, pp. 6-28, 1997.
17. Bandler, J.W., Biernacki, R.M., and Chen, S.H., "Toward direct EM optimization of VLSI interconnects: validation of coupled transmission line models," *Proc. Canadian Conf. on Electrical and Computer Engineering*, Montreal, PQ, Sept. 1995, pp. 377-380.
18. Bandler, J.W., Biernacki, R.M., Chen, S.H., Hendrick, L.W., and Omeragic, D., "Electromagnetic optimization of 3D structures," *IEEE Trans. Microwave Theory Tech.*, Vol. 45, pp. 770-779, 1997.
19. Bandler, J.W., Biernacki, R.M., Chen, S.H., and Huang, Y.F., "Design optimization of interdigital filters using aggressive space mapping and decomposition," *IEEE Trans. Microwave Theory Tech.*, Vol. 45, pp. 761-769, 1997.
20. Bandler, J.W., Biernacki, R.M., Chen, S.H., Hendrick, L.W., and Omeragic, D., "Space mapping optimization of waveguide filters using finite element and mode-matching electromagnetic simulators," *IEEE MTT-S Int. Microwave Symp.*, Denver, CO, June. 1997, pp. 635-638.
21. Bandler, J.W., Biernacki, R.M., Chen, S.H., Hemmers, R.H., and Madsen, K., "Space mapping optimization for engineering design," *Large-Scale Optimization with Applications, Part I: Optimization in Inverse Problems and Design* (L. Biegler, T. Coleman, A. Conn and F. Santosa, Editors), Springer, New York, 1997, pp. 1-15.
22. Zhang, L.H., and Zhang Q.J., "Optimal Pin Assignment for Ground Noise Minimization in IC Packages and Connectors," *Proc. 46<sup>th</sup> Electronic Components and Technology Conf*, Orlando, FL, May. 1996, pp. 761-764.
23. Zhang, Q.J., and Nakhla, M.S., "Statistical simulation and optimization of VLSI interconnects," *Int. J. Analog Integrated Circuits and Signal Processing, Special issue on High-speed Interconnects*, Vol. 5, pp. 95-106, 1994.
24. Zhang, Q.J., Wang, F., and Nakhla, M.S., "Optimization of high-speed VLSI interconnects: a review," *Int. J. Microwave and Millimeter Wave CAE*, Vol. 7, pp. 83-107, 1997 (invited).





